

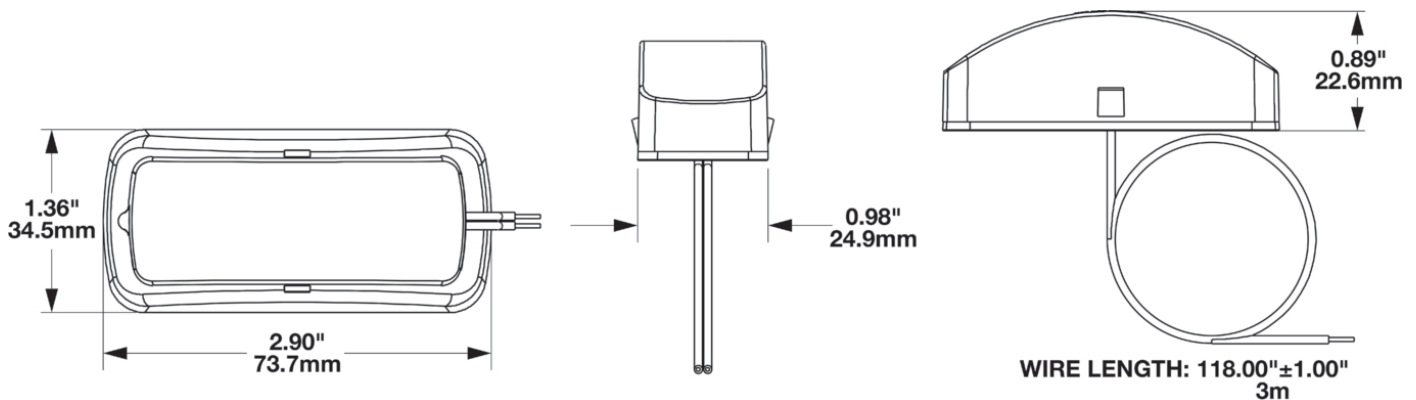
# LED Dome & Marker Lights - Model 150

## PRODUCT INFORMATION

<b>Description</b>	12-24V ECE/SAE Red LED Side Marker Light with Mounting Assembly
<b>Height</b>	22.61 mm / 0.89 in
<b>Width</b>	64.01 mm / 2.52 in
<b>Depth</b>	24.64 mm / 0.97 in
<b>Shape</b>	Rectangular
<b>Outer Lens Material</b>	Acrylic
<b>Outer Lens Color</b>	Red
<b>Housing Material</b>	ABS
<b>Housing Color</b>	Black
<b>Mounting Type</b>	Low Profile Mount
<b>Minimum Operating Temperature</b>	-40 °C / -40 °F
<b>Maximum Operating Temperature</b>	65 °C / 149 °F
<b>Connector or Wiring</b>	118" Bare Leads
<b>Product Weight</b>	0.16 lbs / 0.07 kgs
<b>Shipping Weight</b>	0.16 lbs / 0.07 kgs



## PRODUCT DIMENSIONS



Print date: 2024-08-11

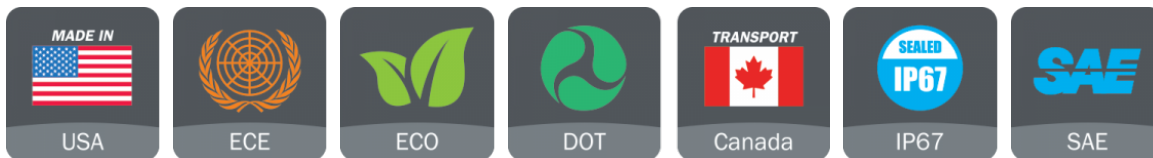
© 2024 J.W. Speaker Corporation • Germantown, WI U.S.A.  
www.jwspeaker.com • speaker@jwspeaker.com • 262.251.6660

# LED Dome & Marker Lights - Model 150

## ELECTRICAL SPECIFICATIONS

<b>Input Voltage</b>	12-24V DC
<b>Red Wire</b>	Positive
<b>Black Wire</b>	Negative
<b>Current Draw</b>	0.090 (Max)A @ 12V DC

## REGULATORY STANDARDS COMPLIANCE



Buy America Standards	ECE Reg 7
Eco Friendly	FMVSS 108 s7.4 (Table X)
FMVSS 108 s7.5 (Table XI)	IEC IP67
SAE J592	

## PHOTOMETRIC SPECIFICATIONS

**Beam Pattern(s)**      Signalization - Clearance

## APPLICATIONS



**Print date: 2024-08-11**

© 2024 J.W. Speaker Corporation • Germantown, WI U.S.A.  
www.jwspeaker.com • speaker@jwspeaker.com • 262.251.6660

**J.W. SPEAKER**  
Engineered. Lighting. Solutions.

# LED Dome & Marker Lights - Model 150

## PRODUCT WARNINGS

---

For California residents:

⚠ **WARNING:** Cancer and reproductive harm - [www.P65Warnings.ca.gov](http://www.P65Warnings.ca.gov).

⚠ **AVERTISSEMENT:** Cancer et effet nocif sur la reproduction - [www.P65Warnings.ca.gov](http://www.P65Warnings.ca.gov).

## ACCESSORIES

---



**Part Number**

**5856032**

Replacement  
Mounting Assembly for  
Model 150 LED Lights

## RELATED PRODUCTS

---



**Part Number**

**0205341**

12-24V ECE/SAE  
Amber LED Side  
Marker Light with  
Mounting Assembly



**Part Number**

**0443051**

12-24V Clear/White  
LED Dome Light with  
Mounting Assembly

---

**Print date: 2024-08-11**

© 2024 J.W. Speaker Corporation • Germantown, WI U.S.A.  
[www.jwspeaker.com](http://www.jwspeaker.com) • [speaker@jwspeaker.com](mailto:speaker@jwspeaker.com) • 262.251.6660